

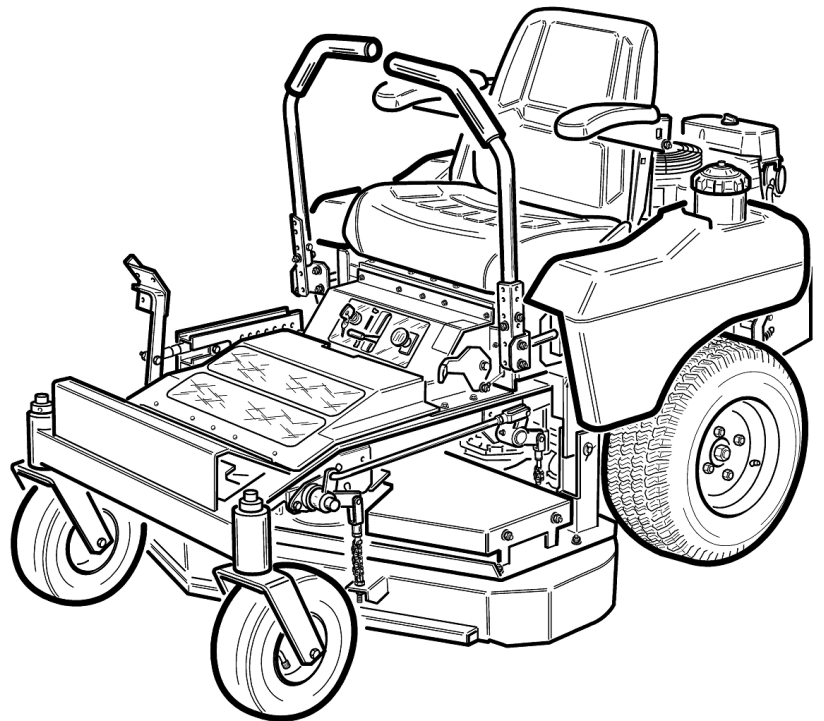
# Inhoudsopgave

Drijfwerken & Wiel en V-Snaar .....	6
Elektrische Delen .....	4
Maaier & Aandrijving .....	12
Motor Kawasaki & Delen .....	10
Stickers .....	15
Tank Zitting & Bedienings Handel .....	8



# Gianni Ferrari

## SRZ 150



**CATALOGO PARTI DI RICAMBIO**

**CATALOGUE PIECES DETACHEES**

**SPARE PARTS CATALOGUE**

**TERSATZTEILKATALOG**



COMPOSIZIONE CODICE D'ORDINE

NUMERO DI MATRICOLA ALFANUMERICO DEL TELAIO + CODICE PARTICOLARE DI RICAMBIO

COMPOSITION OF THE ORDER CODE

ALPHANUMERICAL SERIAL NUMBER OF THE FRAME + CODE NUMBER OF THE SPARE PART

COMPOSITION DU CODE DE L'ORDRE

NUMÉRO DE SÉRIE ALPHANUMÉRIQUE DU CHÂSSIS + CODE AU PIÉCE DE RECHANGE

AUFBAU DES BESTELLKODENS

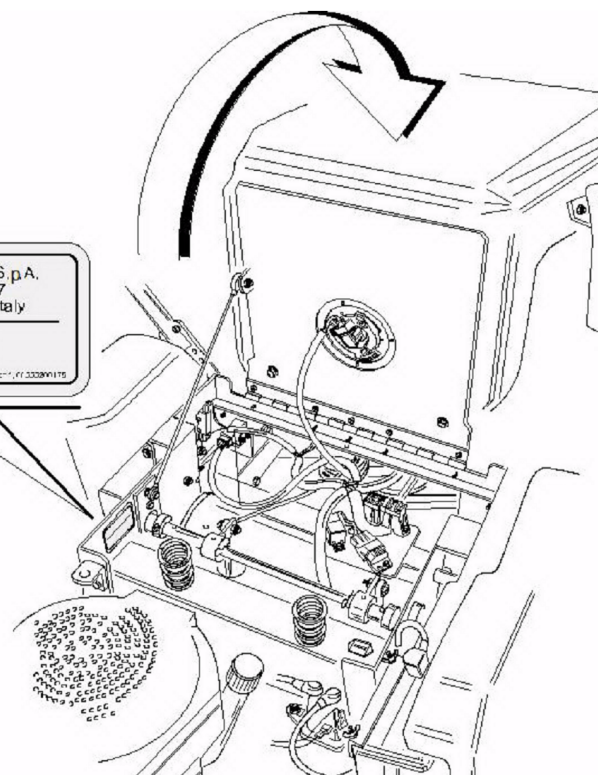
ALPHANUMERISCHE SERIENNUMMER DES GERÜSTES + HINWEIS AUF DAS ZUSATZTEIL

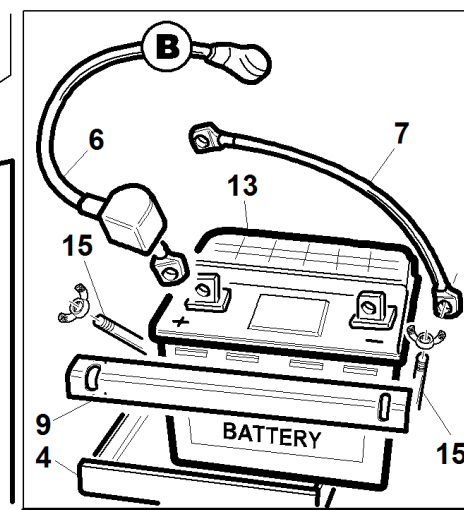
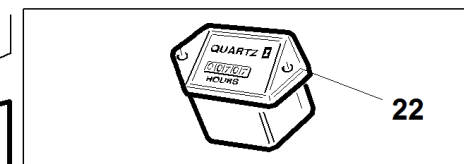
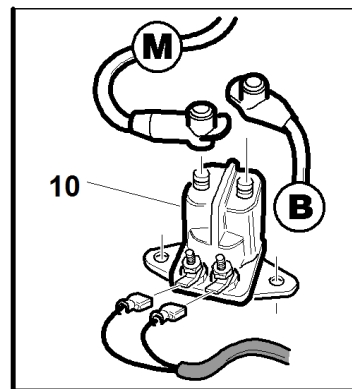
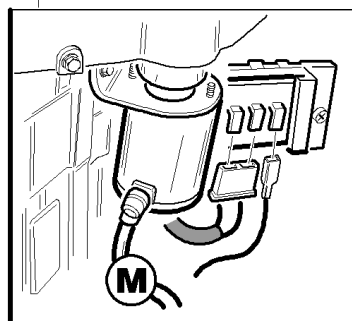
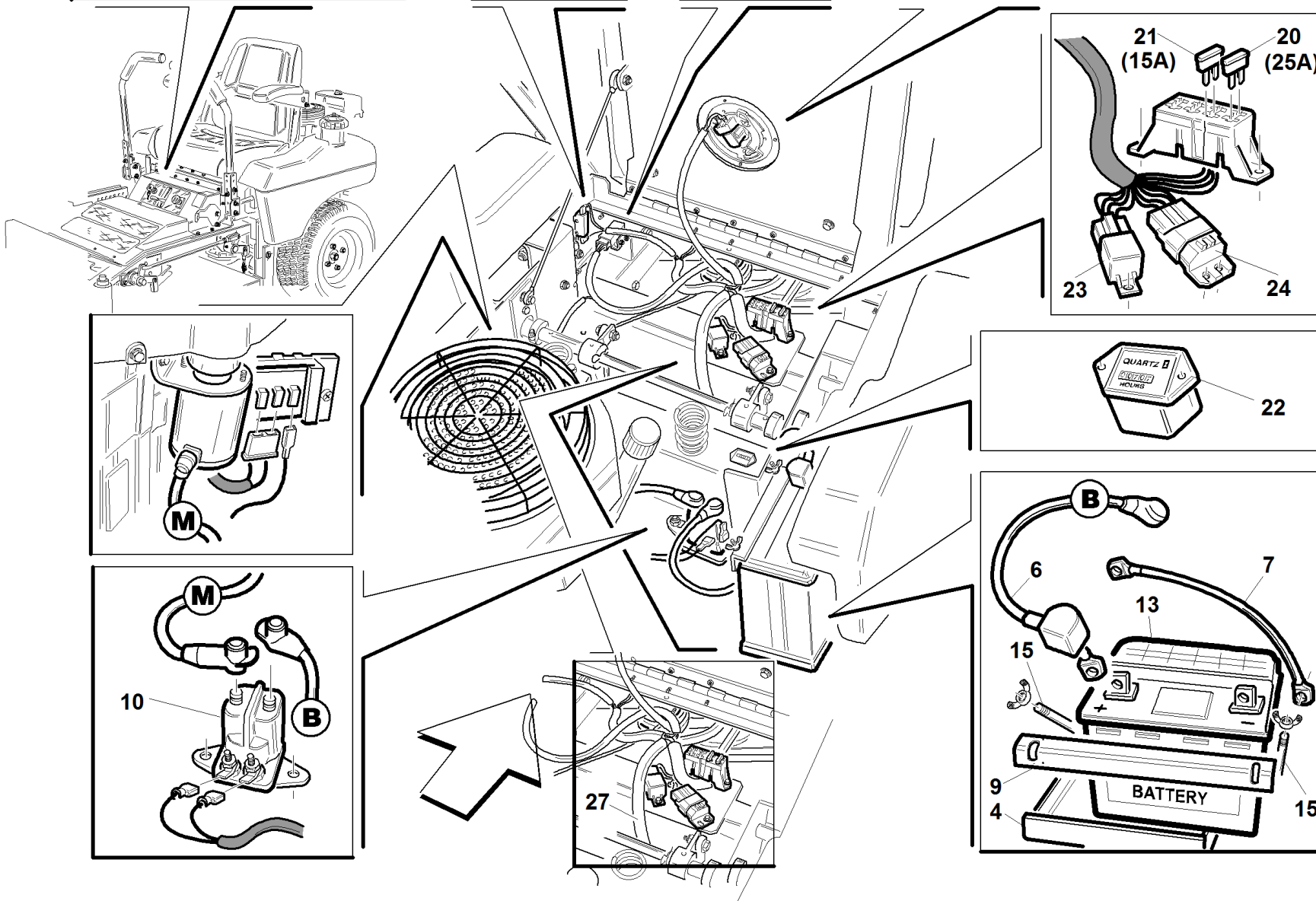
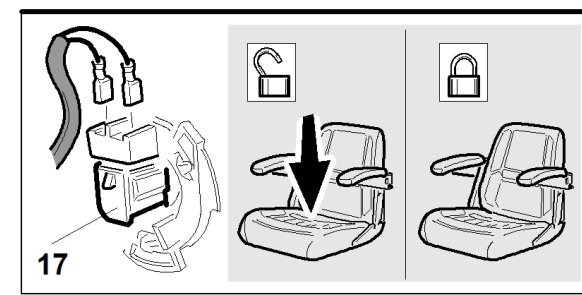
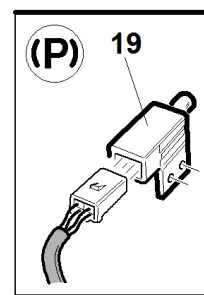
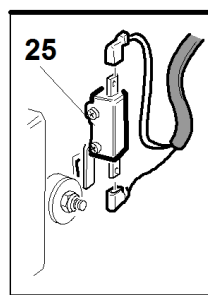
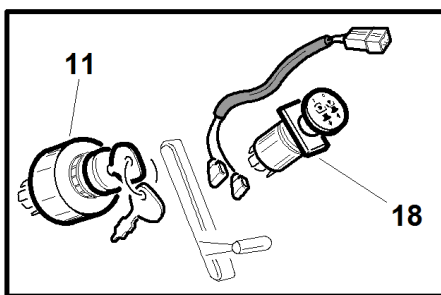
NUMERO DI MATRICOLA CATALOGO

NUMERO DI MATRICOLA ALFANUMERICO DEL TELAIO  
ALPHANUMERICAL SERIAL NUMBER OF THE FRAME  
NUMÉRO DE SÉRIE ALPHANUMÉRIQUE DU CHÂSSIS  
ALPHANUMERISCHE SERIENNUMMER DES GERÜSTES

99999999X99

OFFICINE BIEFFEBI S.p.A.  
Via dell'Artigianato, 7  
49023 Gonzaga (MN) Italy  
SERIAL NUMBER  
0000000000  
© 1999, 07.03.2000/1175





#

P/N

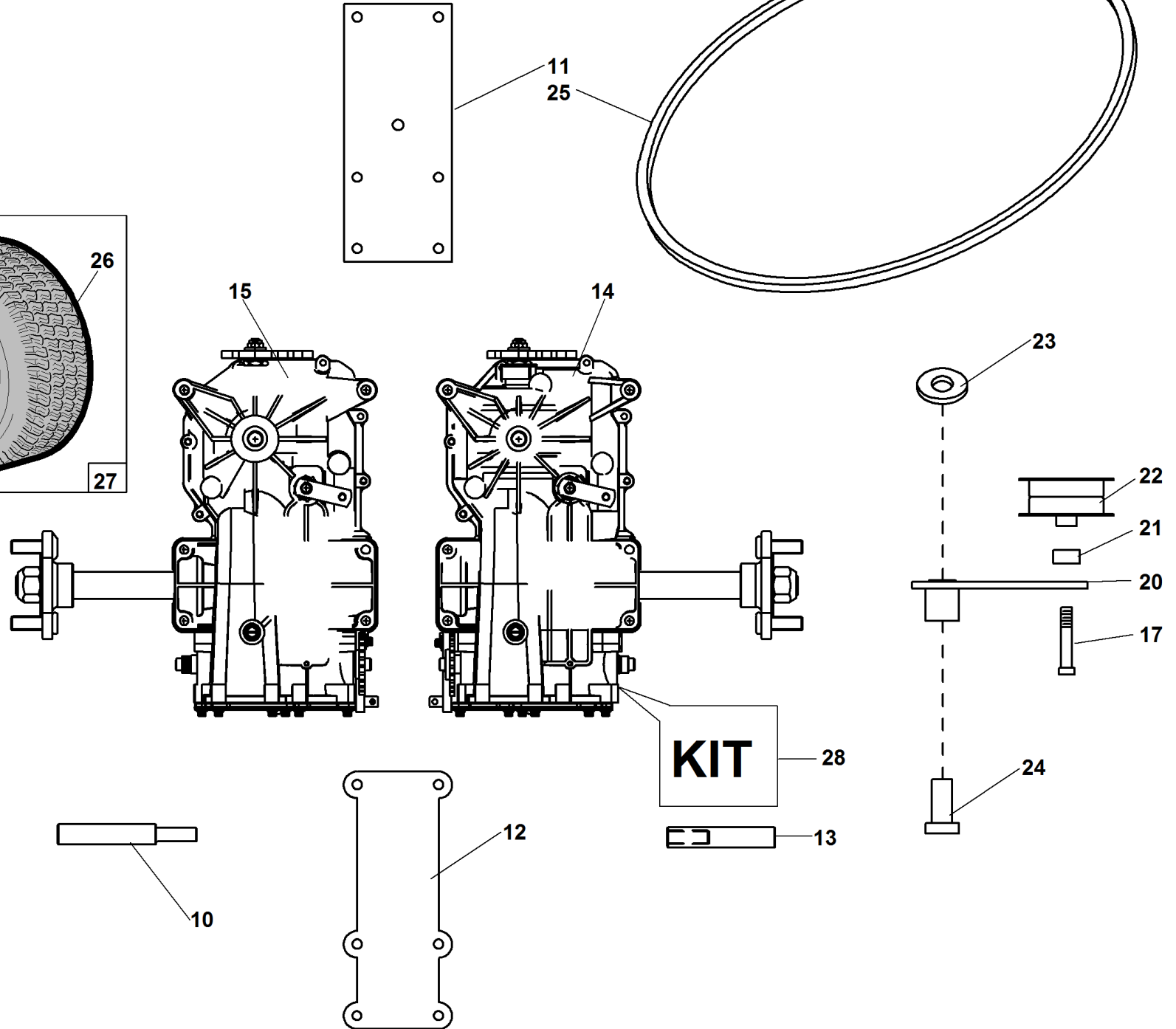
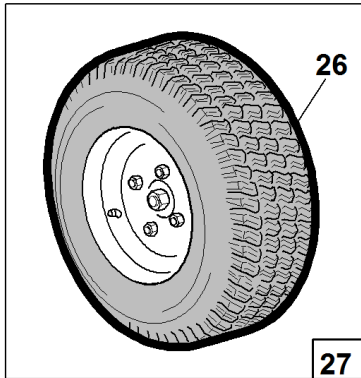
DESCRIPTION

SRZ 150

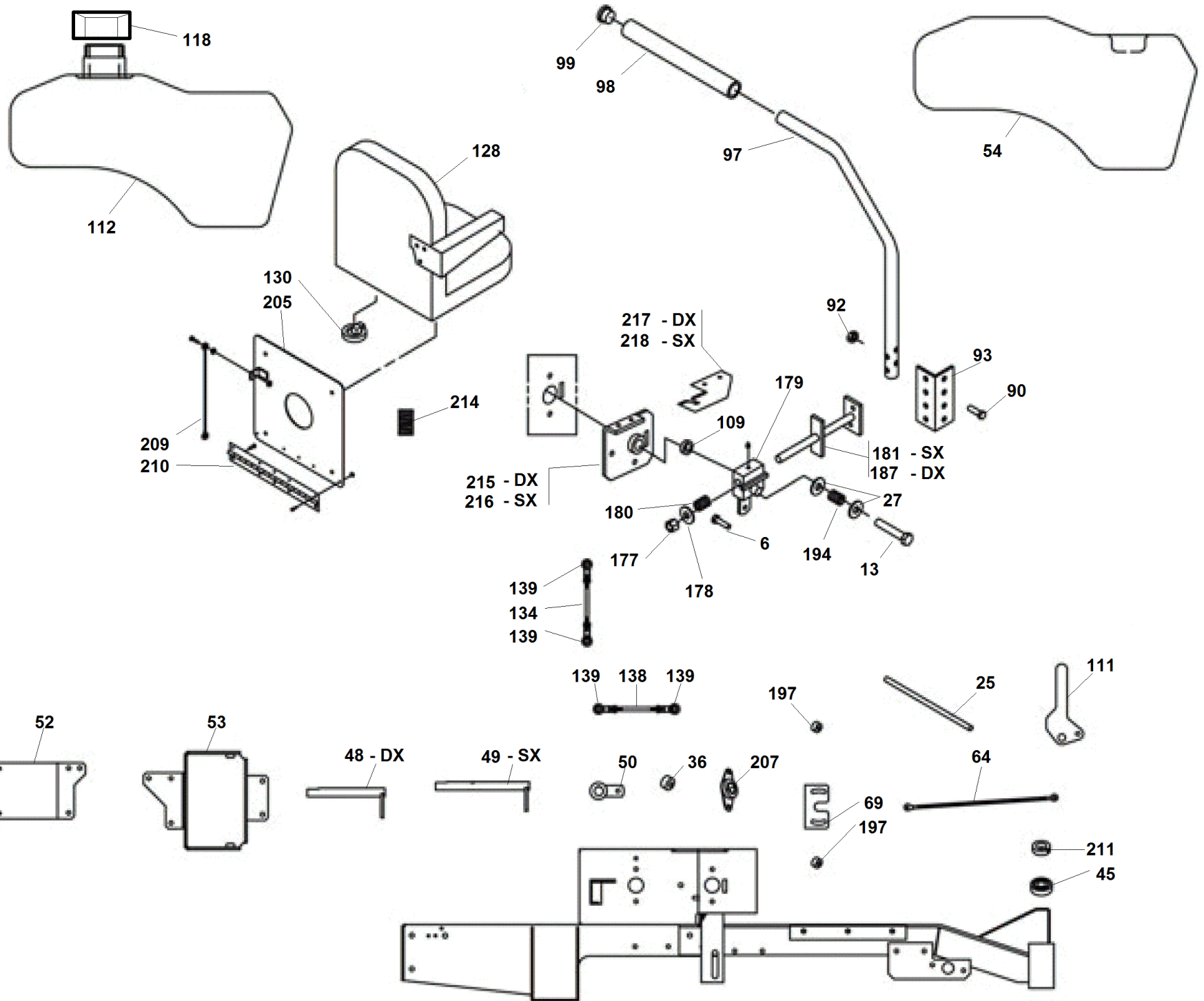
REF. 1-00555991901

4	93900342062	BATTERY FENDER MOUNT
6	93900343108	POSITIVE CABLE
7	93900343109	NEGATIVE CABLE
9	93900423011	HOLDDOWN ANGLE - PAINTED
10	93100422150	SRZ STARTER RELAY
11	93100423027	SRZ IGNITION SWITCH
13	00777800024	BATTERY 30A
15	93900423172	BATTERY HOLD DOWN ROD - PLATED
17	93100523030	SRZ SEAT SWITCH
18	93100523031	SRZ PTO SWITCH
19	00777800223	FULL HOPPER MICRO SWITCH
20	93900523145	20 AMP FUSE
21	93900523146	15 AMP FUSE
22	93100523283	SRZ HOUR METER
23	93900583351	ELECTRIC LIFT RELAY
24	93100583423	SRZ TIME DELAY MODULE
25	93100823193	SRZ150 NEUTRAL SWITCH
27	93100343077	SRZ150 WIRE HARNESS

**SRZ 150**



#	P/N	DESCRIPTION	SRZ 150	REF. 2-00555991902
10	93900343014	AXLE SUPPORT ROD (M)		
11	93900343036	TRANSAXLE MOUNT TOP		
12	93900343038	TRANS. MOUNT LOWER		
13	93900343116	AXLE SUPPORT ROD (F)		
14	93100343120	SRZ150 RH IZT TRANSAXLE		
15	93100343121	SRZ150 LH IZT TRANSAXLE		
17	93900100297	SCREW 3/8-16 X 2-1/4 HHCS		
20	93900342056	IDLER ARM W/BUSHING		
21	93900483017	RH IDLER SPACER		
22	93300823351	SRZ270D PUMP IDLER PULLEY		
23	93900373089	RETAINING WASHER		
24	93900423175	PUMP IDLER PIVOT - FINISHED		
25	93100583385	SRZ PUMP BELT		
26	93100343112	DRIVE PNEUMATIC 18x7.50x8 SRZ150		
27	93100363311	SRZ150 FRONT CASTER COMPL.		
28	93100343152	"SRZ150 WHEELMOTOR SEAL KIT		





#

P/N

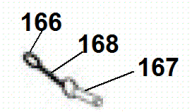
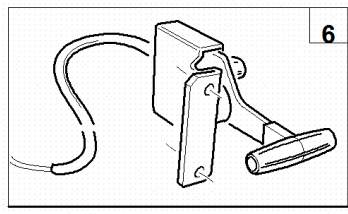
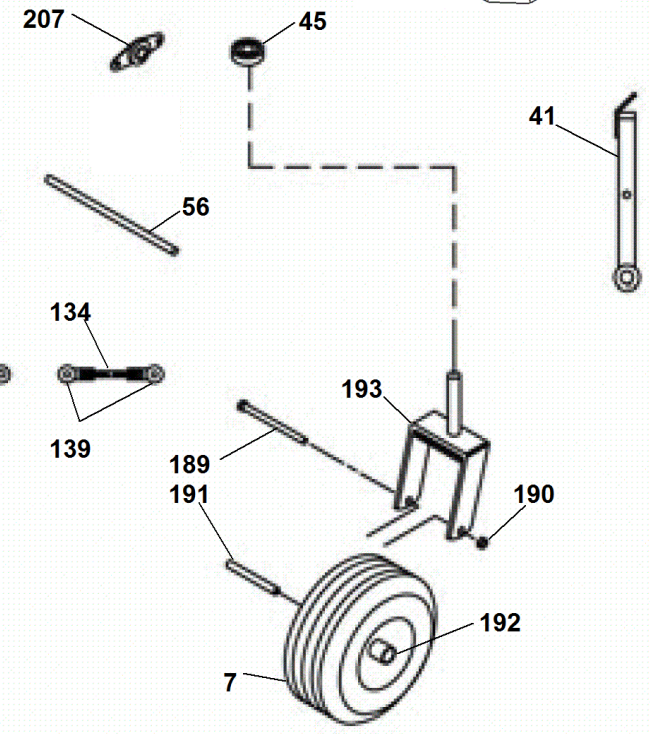
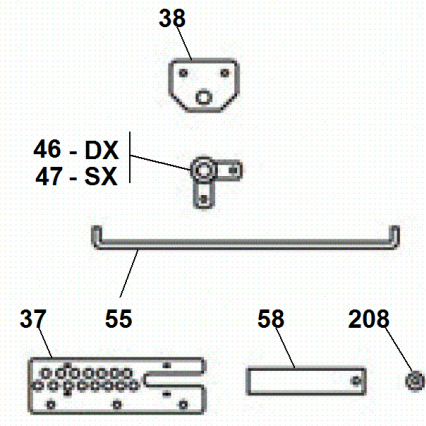
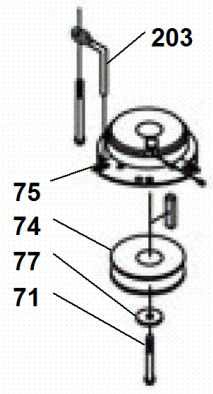
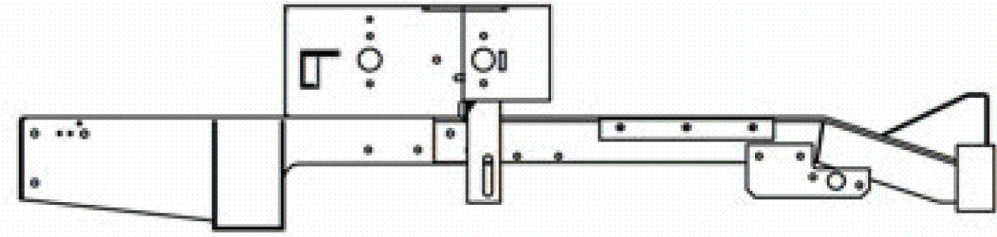
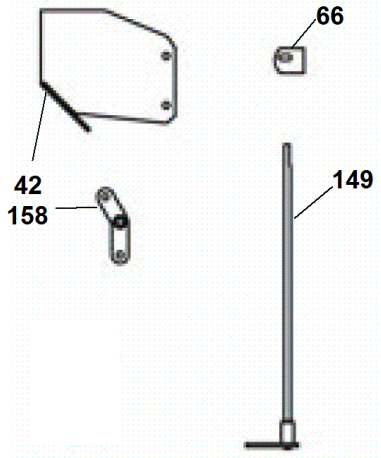
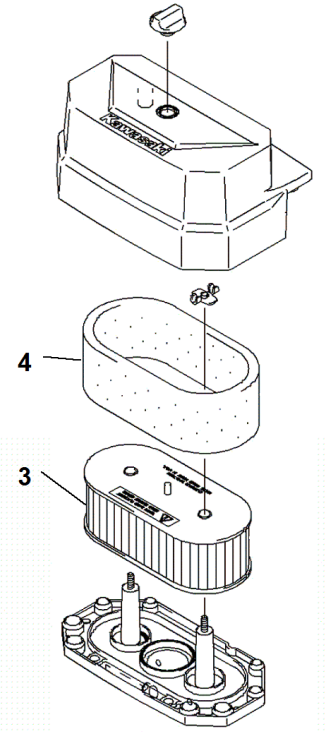
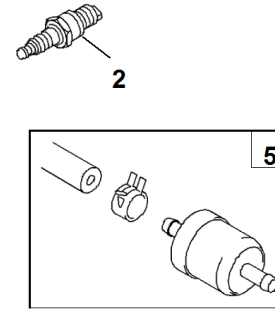
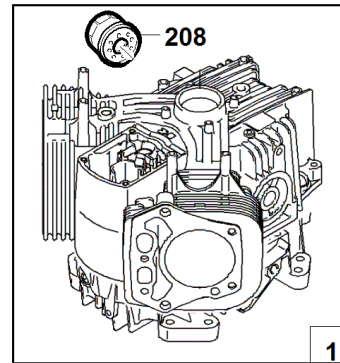
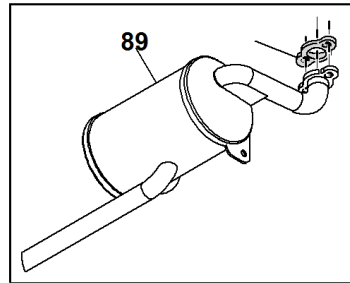
DESCRIPTION

SRZ 150

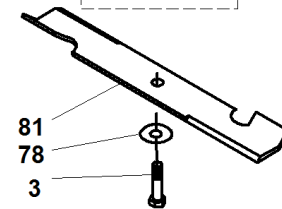
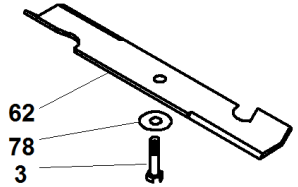
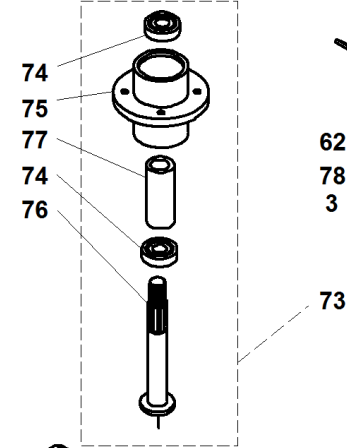
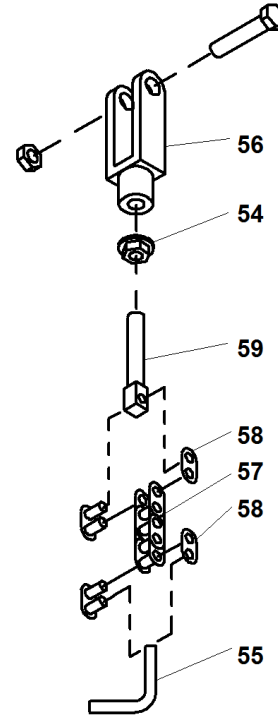
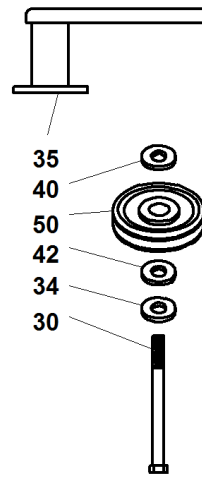
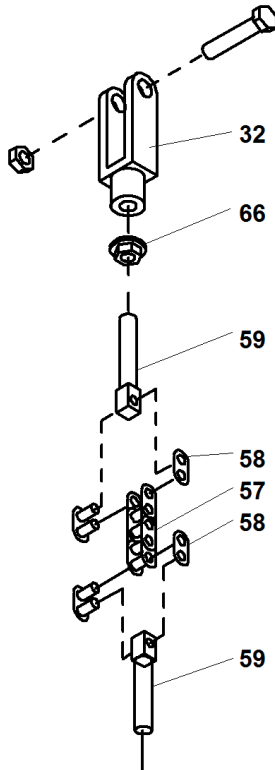
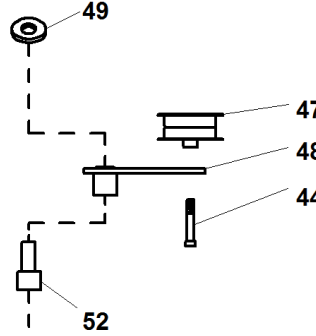
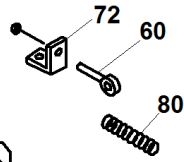
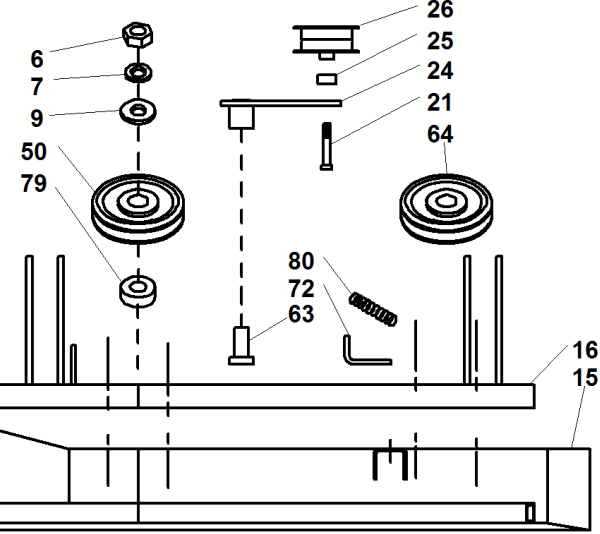
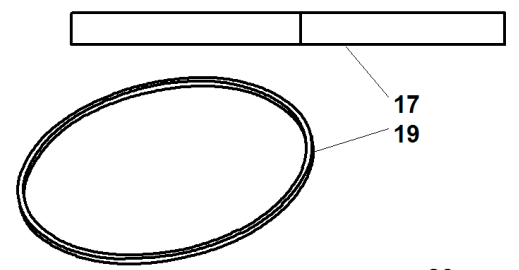
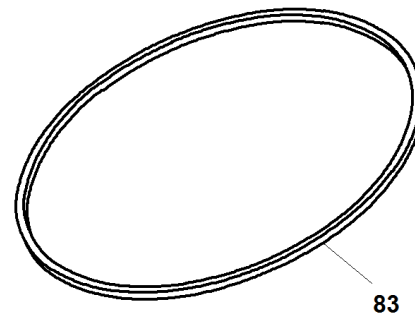
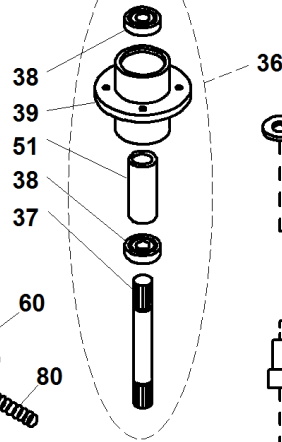
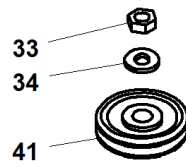
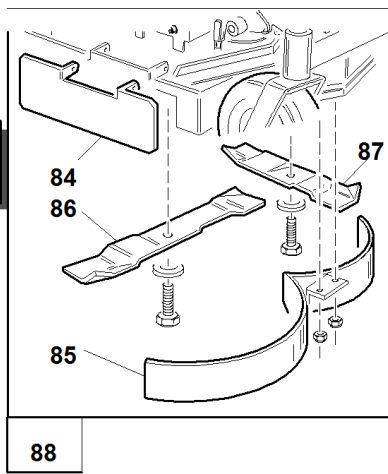
REF. 3-00555991903

6	93900100273	SCREW 5/16-18 X 1 HHCS
13	93900100305	SCREW 3/8-16 X 4-1/2 HHCS
25	93900105005	5/16 LOCKWASHER-HEAVY
27	93900105260	3/8 STD FLAT WASHER
36	93900253063	ENGINE SHAFT SPACER
45	93900423109	7/8 FLANGE BEARINGS
48	93900342048	CONTROL TUBE RH
49	93900342050	CONTROL TUBE LH
50	93900342052	CONTROL ARM
52	93900642014	FUEL TANK MNT. Z34 - FER RED
53	93900642015	BATTERY/FENDER MNT. FER RED
54	93900643021	FENDER - Z34/RH PLAIN
64	93900343122	PARK BRAKE CABLE
69	93900343138	FORWARD CNTRL STOP
90	93900100275	SCREW 5/16-18 X 1-1/2 HHCS
92	93900109001	5/16-18 WHIZLOCK NUT
93	93900643044	HANDLE ANGLE
97	93900642022	HANDLE W/GRIP
98	93900523032	HANDLE GRIP(RIDER)
99	93900523033	HANDLE PLUG
109	93900253059	ENGAGEMENT BUSHING
111	93900342044	PARK BRAKE LEVER W/GRIP
112	93100343021	LH FUEL TANK/MUFFLER SRZ
118	93100823179	FUEL CAP - SRZ
128	93100643034	SEAT BLACK W/O TRACKS SRZ 150/170
130	93100523030	SRZ SEAT SWITCH
134	93900343034	CONTROL LINK - LONG
138	93900343032	CONTROL LINK- SHORT
139	93900453081	.312 ROD END (F)
177	93900104259	1/2-13 HEX NYLOC NUT
178	93900105264	1/2 STD FLAT WASHER
179	93900342055	PIVOT BLOCK W/ZERK
180	93900363024	COMPRESSION SPRING
181	93900582084	LH NEUTRAL LOCK PIVOT
187	93900582082	RH NEUTRAL LOCK PIVOT
194	93900363024	COMPRESSION SPRING
197	93900363113	WHEEL PULLEY SPACER
205	93900642020	SEAT PLATE W/LDMNT - FER RED
207	93900423140	3/4 I.D. 2 BOLT BEARING
209	93900523044	SEAT CABLE
210	93900523105	SEAT HINGE
214	93900523278	SEAT SPRING
215	93900582109	RH CONTROL PIVOT W/BUSHING
216	93900582110	LH CONTROL PIVOT W/BUSHING
217	93900583254	RH LEVER LOCK
218	93900583256	LH LEVER LOCK

**SRZ 150**



#	P/N	DESCRIPTION	SRZ 150	REF. 4-00555991904
1	00777700028			
2	00777750006	KAWASAKI 15-17 HP SPARK PLUG		
3	00777650066	KAWASAKI 15-17 HP AIR FILTER		
4	00777650067	KAWASAKI AIR PRE-FILTER		
5	00777650063	KAWASAKI PETROL FILTER 15-17-19HP		
6	93100363352	SRZ THROTTLE CABLE		
7	93100363260	FRONT TIRE 4.10/3.50-4		
8	93100343019	MUFFLER ENGINE SRZ150		
9	00111990115	MUFFLER COLLECTOR GASKET SRZ		
37	93900642008	HEIGHT CONTROL - FER RED		
38	93900642008	HEIGHT CONTROL - FER RED		
41	93100342028	DECK LIFT PEDAL		
42	93900642012	REAR GUARD - Z34 - FER RED		
45	93900423109	7/8 FLANGE BEARINGS		
46	93100342045	RR LIFT ARM W/BUSHING		
47	93100342046	LR LIFT ARM W/BUSHING		
55	93900343070	DECK LIFT ROD		
56	93100343081	DECK LIFT SHAFT		
58	93900343093	DECK HEIGHT TUBE PLATED		
66	93900343130	MUFFLER STRAP		
71	93900100536	SCREW 7/16-20 X 3 HHCS		
74	93100343083	SRZ150 PUMP DRIVE PULLEY		
75	93100343084	SRZ150 CLUTCH		
77	93900423069	SPRING DISC.- 7/16		
134	93900343034	CONTROL LINK - LONG		
139	93900453081	.312 ROD END (F)		
149	93900342002	BRAKE CRANK WELDMENT RH		
158	93900342004	BRAKE CRANK-HL WELDMENT PLATED		
166	93900109002	SPLIT RING		
167	93900109026	"1/2 X 2"" DETENT PIN"		
168	93900123012	SAFETY CHAIN		
189	93900100339	SCREW 1/2-13 X 6 HHCS		
190	93900104259	1/2-13 HEX NYLOC NUT		
191	93900363307	AXLE TUBE		
192	93100363311	SRZ150 FRONT CASTER COMPL.		
193	93900642021	FRONT CASTER YOKE - FER RED		
203	93900373070	BELT GUIDE-LONG		
207	93900423140	3/4 I.D. 2 BOLT BEARING		
208	00777650064	KAWASAKI ENGINE OIL FILTER 15-17-19 HP		



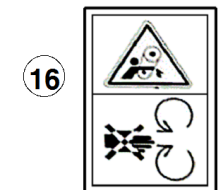
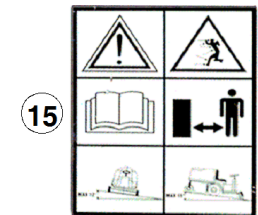
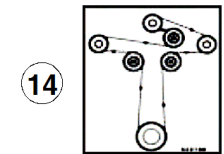
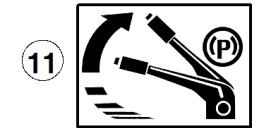
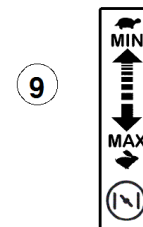
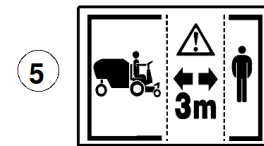
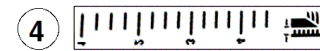
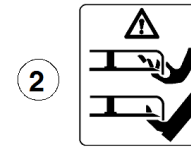
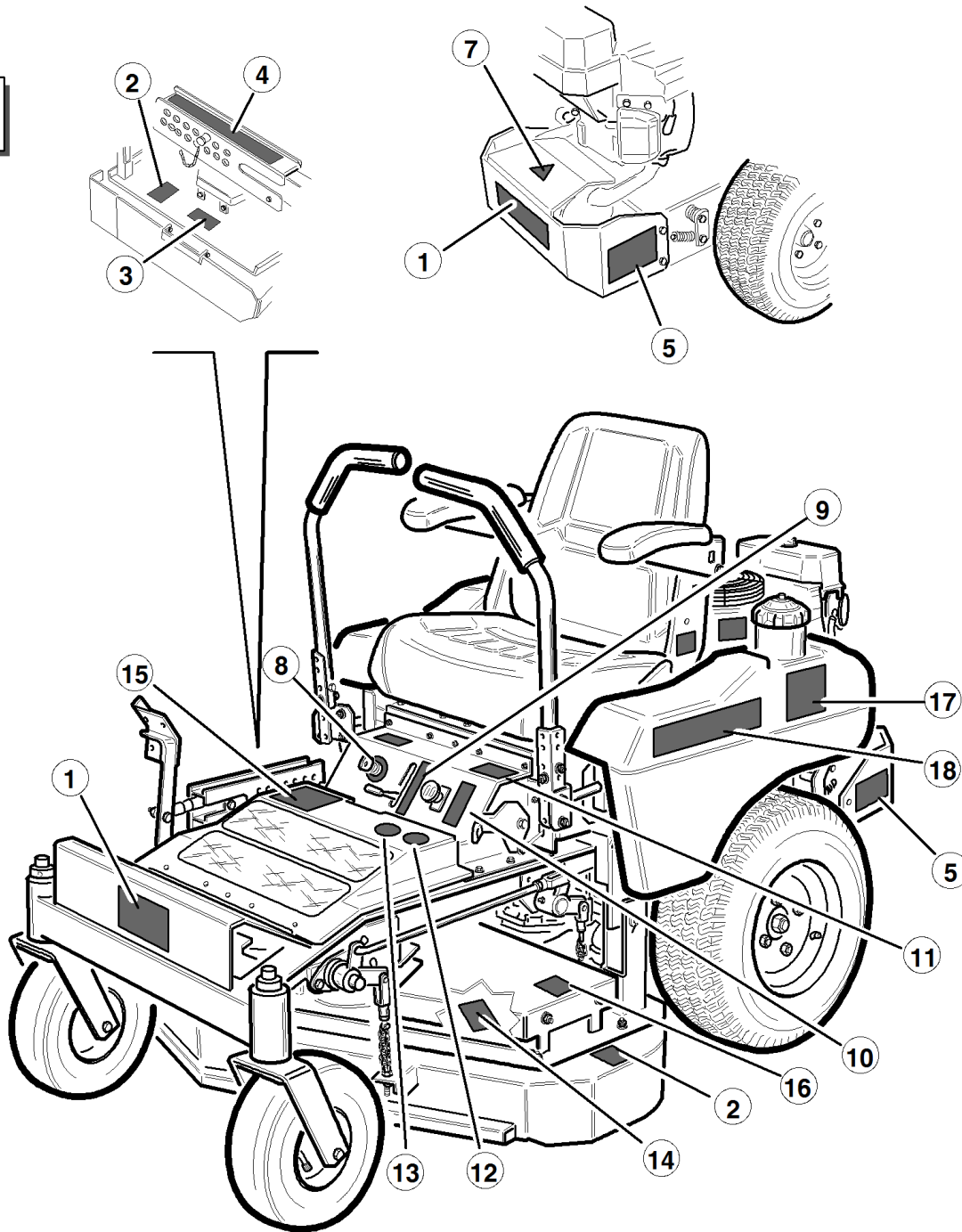
#	P/N	DESCRIPTION	SRZ 150	REF. 5-00555991905
3	93100000006	SCREW TE 5/8-11 x 1-1/4		
6	93900104511	3/4-16 UNF REG HEX NUT		
7	93900105010	3/4 LOCKWASHER		
9	93900105269	3/4 SAE FLAT WASHER		
15	93900642004	Z34 DECK - FER RED		
16	93900642005	Z34 SUB PLATE - FER RED		
17	93900642011	BELT SHIELD - Z34 - FER RED		
18	93100642016	GRASS DEFLECTOR - Z34 FER RED		
19	93100000003	SRZ150 BLADE BELT		
21	93900100298	SCREW 3/8-16 X 2-1/2 HHCS		
24	93900422025	TENSIONER W/BUSHING		
25	93900483017	RH IDLER SPACER		
26	93300823351	SRZ270D PUMP IDLER PULLEY		
29	93900100302	SCREW 3/8-16 X 3-1/2 HHCS		
30	93900100348	SCREW 5/8-11 X 7 HHCS		
32	93900104257	3/8-16 HEX NYLOC NUT		
33	93900104261	5/8-11 HEX NYLOC NUT		
34	93101000003	WASHER 5/8		
35	93900642006	JACK SHAFT MOUNT -FER RED		
36	93900343029	JACK SHAFT SPINDLE ASSY.		
37	93900343030	SPINDLE SHAFT		
38	93100363350	SPINDLE BEARING		
39	93900363380	SPINDLE HOUSING		
40	93900363121	WHEEL WASHER		
41	93100343126	"HEX PULLEY 5-3/4"" (JACKSHAFT TOP)"		
42	93900343128	PULLEY WASHER		
44	93900100297	SCREW 3/8-16 X 2-1/4 HHCS		
47	93900393004	PULLEY-CALIPER		
48	93900422025	TENSIONER W/BUSHING		
49	93900373089	RETAINING WASHER		
50	93100483078	"HEX PULLEY 5-3/4"" (JACKSHAFT BOTTOM)"		
51	93100583113	SRZ BEARING SPACER		
52	93900823030	IDLER SUPPORT PLT		
54	93900109008	3/8-24 WHIZLOCK NUT		
55	93900343088	DECK LIFT ANGLE		
56	93100343089	LIFT CLEVIS		
57	93100423180	LIFT CHAIN		
58	93100523123	SRZ CONNECTOR LINK		
59	93100523125	ANCHOR STUD		
60	93900363080	EYEBOLT-RIGHT		
62	93100000001	"BLADE 20"""		
63	93900423175	PUMP IDLER PIVOT - FINISHED		
64	93400423262	SRZ170 BLADE SPINDLE PULLEY		
66	93900109008	3/8-24 WHIZLOCK NUT		
72	93900523094	SPRING MOUNT-DECK		
73	93100583106	SRZ SPINDLE ASSY COMP.		
74	93100363350	SPINDLE BEARING		
75	93900583111	SPINDLE HOUSING		
76	93900583112	SPINDLE SHAFT		
77	93100583113	SRZ BEARING SPACER		
78	93100000005	SPRING WASHER 5/8		
79	93900583110	PULLEY SPACER		
80	93900583144	PUMP IDLER SPRING		
81	93900000002			
83	93100000004	SRZ 150 DECK BELT		
84	93900342074	MULCH COVER WELDMENT		
85	93900342072	MULCH BAFFLE WELDMENT		
86	93101000001	"SRZ150 MULCHING BLADE 20"""		
87	93101000002	"SRZ150/170 MULCHING BLADE 14.25"""		

**#****P/N****DESCRIPTION****SRZ 150****REF. 5-00555991905**

88

93101000000

"Z-34"" MULCHING KIT"



#	P/N	DESCRIPTION	SRZ 150	REF. 6-00555991906
1	00555200165	YELLOW GIANNI FERRARI TRANSF. PRINTING		
2	00555000029	TRANSFER PRINTING MOWER DECK		
3	00555200176	TRANSFER PRINTING "OBJECT PROJECTING"		
4	00555200178			
5	00555200018	TRANF. KEEP AWAY		
7	00555200142	TRANSFER PRINTING		
8	00555200013	TRANSFER PRINTING START		
9	00555200137	TRANSFER PRINTING		
10	00555200006	TRANSFER PRINTING		
11	00555200128	TRANSFER PRINTING BRAKE		
12	00555200129	TRANSFER PRINT.HEARING PROTEC.		
13	00555200130	TRANSFER PRINTING EYE PROTECTION		
14	93900343063	BELT ROUTING DECAL		
15	00555200143	DANGER TRANSFER PRINTING		
16	00555200180	"DANGER" STICKER		
17	00555200181	TRANSFER PRINTING SRZ 150		
18	00555200185	TRANSFER PRINTING		
19	00555200174			



[www.gianniferrari.com](http://www.gianniferrari.com)

*Advanced Groundcare Solutions™*

**COMPANY WITH QUALITY  
MANAGEMENT SYSTEM CERTIFIED BY DNV  
= UNI EN ISO 9001:2008 =**



**Gianni  
Ferrari**

**GIANNI FERRARI S.r.l.**

Via Vespucci ,53 (z.ind. Ranaro)  
42046 Reggiolo (Reggio Emilia) Italy  
Tel. +39.0522.973697 - Fax +39.0522.973707  
e-mail: [info@gianniferrari.com](mailto:info@gianniferrari.com)



**OFFICINE BIEFFEBI S.p.A.**

Via dell'Artigianato ,7  
46023 Gonzaga (Mantova) Italy  
Tel. +39.0376.52641 - Fax +39.0376.588270  
e-mail: [bieffebi@gianniferrari.com](mailto:bieffebi@gianniferrari.com)